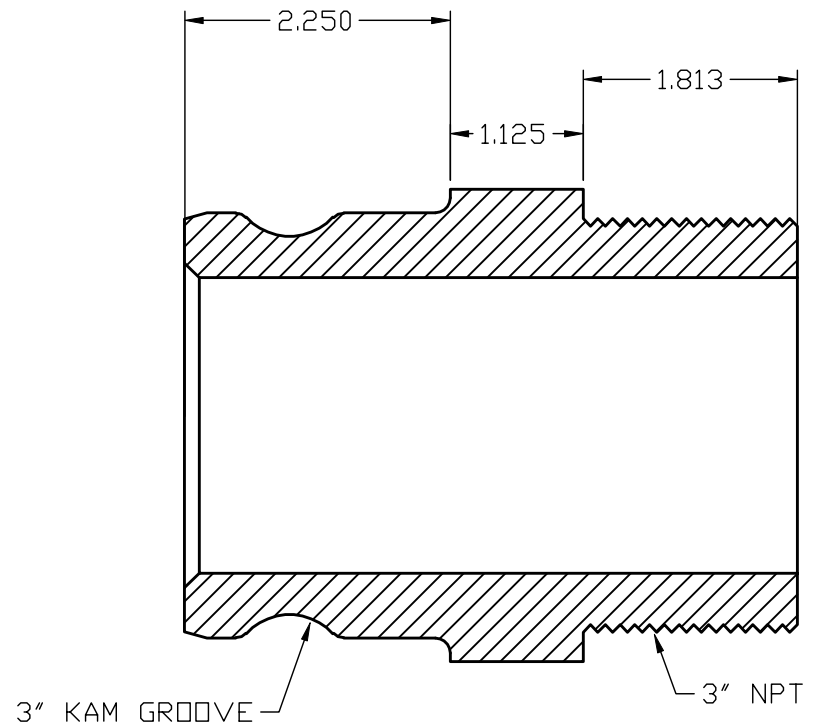
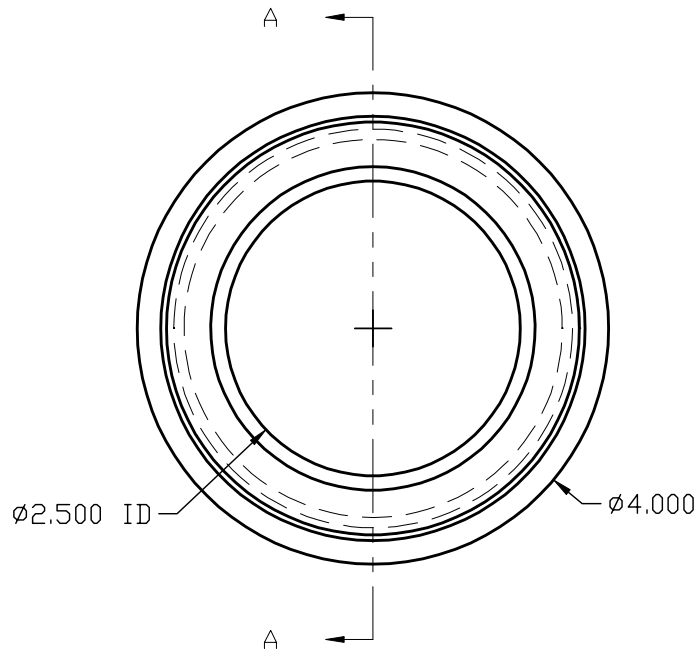


SALES DRAWING



SALES DRAWING

SECTION A-A

A	ACC	8-20-04	ADDED PART INTO THE SYSTEM
REV	BY	DATE	DESCRIPTION

UNLESS OTHERWISE SPECIFIED DIMENSIONAL TOLERANCES	
FRACTIONAL	$\pm 1/16$
X.XX	± 0.03
X.XXX	± 0.015
ANGULAR	$\pm 1^\circ$

Hazansolve Corp
A DIVISION OF SALCO PRODUCTS

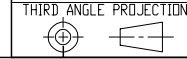
DRAWN BY: ACC CHKD BY: P.J.G. SCALE: N/A APPROVAL DATE: 8-20-04

MATERIAL: SALCO POLYETHYLENE

PART NAME: QUICK CONNECT ADAPTER 3"

THIS PRINT, PROPERTY OF SALCO PRODUCTS INC., CONTAINS PROPRIETARY INFORMATION AND MUST NOT BE COPIED, REPRODUCED, OR USED DETRIMENTALLY TO OUR INTEREST.

PROJECT #:	040810	PROTOTYPE AND DATE:		APPROVED FOR PRODUCTION:	ACC
------------	--------	---------------------	--	--------------------------	-----



DRAWING #:	B19491	PART #:	HSK3PF
------------	--------	---------	--------